



FEATURED PRODUCTS



HWN15000Y Hydraulic Winch With Accessories

Industry/Engineering

Free Spooling clutch: Manual, Air clutch or M and A. Automatic braking action, Specially designed differential gearing for heavy duty, specially designed shape for convenience of installation and good looking, for engineering use available, SWR tensioner available.

ii



HWN11000Y Hydraulic Winch With Accessories

Industry/Engineering

Free Spooling clutch: Manual, Air clutch or M and A. Automatic braking action, Specially designed differential gearing for heavy duty, specially designed shape for convenience of installation and good looking, for engineering use available, SWR tensioner available.

ii



HWP20000Y1 Hydraulic Winch With Accessories

Air Clutch

ii

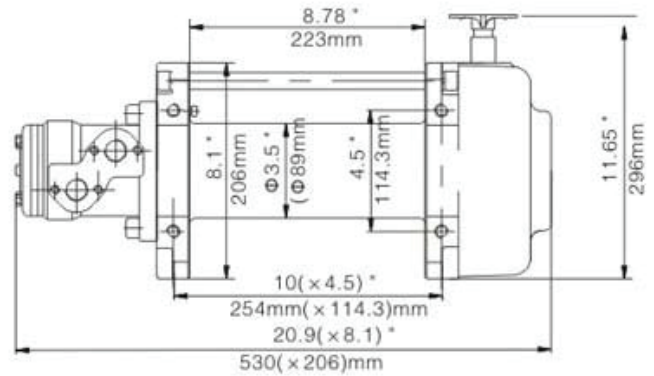


2009 Copyright MasterLine All rights reserved.



WN15000 SERIES: HWN15000Y Industry Hydraulic Winch

Packing List



Specification

Rated line pull	15000 lbs (6804kgs)
Motor displacement	80 ml/r
Oil flow	20~70 L/min
Pressure	14MPa
Gear reduction ratio	37:1
Cable (Dia.x L)	φ 15/32"x87' (φ 12mmx26.5m)
Drum size (Dia.x L)	φ 3.5"x8.7" (φ 89mmx222 mm)
Mounting bolt pattern	10"x4.5" (254mmx114.3 mm) 4-M12

Line pull lb (kn)	Pressure Mpa(Psi)	Flow G/min(L/min)	Line speed Ft/min(m/min)
0	2.5(362.6)	5.3 (20)	6.7(2.0)
5000(2268)	5.0(725.2)	10.6(40)	13.7(4.2)
10000(4536)	8.5(1232.8)	15.9(60)	20.5(6.3)
15000 (6804)	14.0(2030.5)	18.5(70)	23.9(7.3)

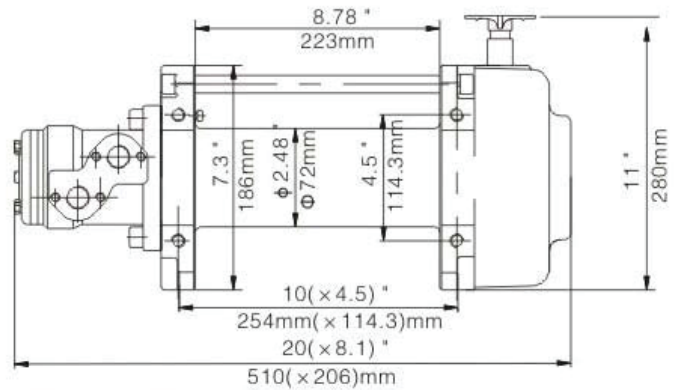
Layer	Rated Line Pull lbs(kn)	Total Rope On Drum Ft (m)
1	15000 (6804)	18.2(5.5)
2	12120(5498)	40.7(12.4)
3	10168(4612)	66.1(20.1)
4	8757(3972)	87.0(26.0)

ITEM	HWN15000Y
Overall dimensions (L x W x H)	20.9" x 8.9" x 11.65" 530mm x 225mm x 296mm
Net weight (lbs) (kg)	132 60



HWN11000 SERIES: HWN11000Y Industry Hydraulic Winch

Packing List



Specification

Rated line pull	11000 lbs (4990kgs)
Motor displacement	50 ml/r
Oil flow	15~40 L/min
Pressure	14MPa
Gear reduction ratio	28:1
Cable (Dia. x L)	φ7/16"×87'(φ11mm×26m)
Drum size (Dia. x L)	φ2.8"×8.9" (φ72mm×226 mm)
Mounting bolt pattern	10"×4.5" (254mm×114.3 mm) 4-M12

Line pull lb (kn)	Pressure Mpa(Psi)	Flow G/min(L/min)	Line speed Ft/min(m/min)
0	2.5(362.6)	4.0(15)	8.2(2.5)
4000(1814)	5.0(725.2)	6.6(25)	14.5(4.4)
6000(2722)	7.0(1015.2)	9.2(35)	20.3(6.2)
8000(3629)	10.0(1450.3)	10.6(40)	23.1(7.1)
11000(4990)	14.0(2030.5)		

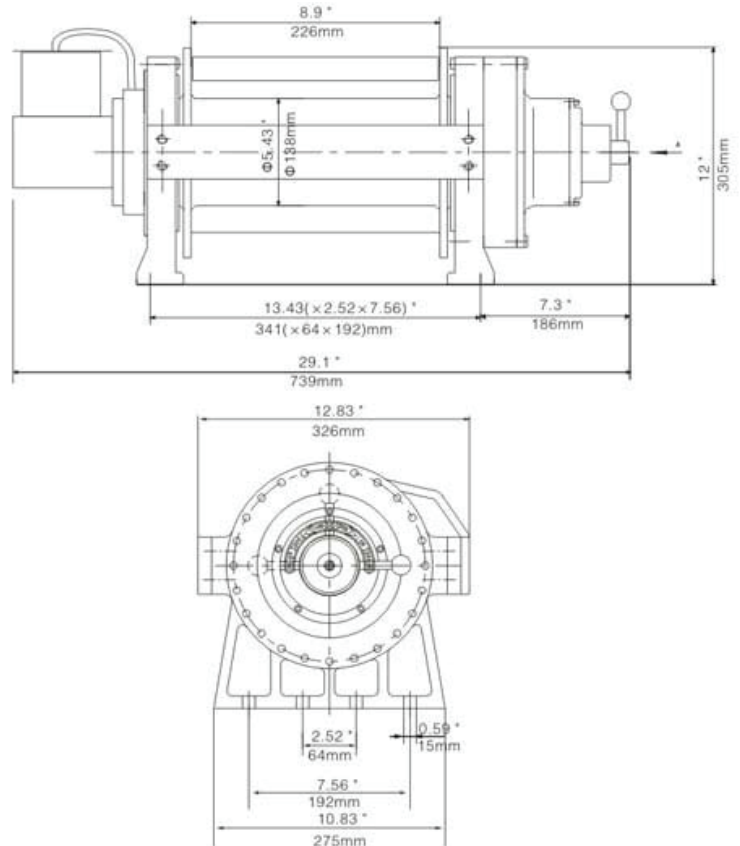
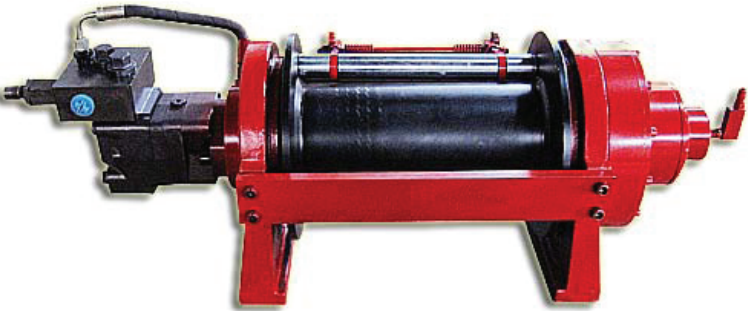
Layer	Rated Line Pull lbs(kn)	Total Rope On Drum Ft (m)
1	11000(4990)	16.7(5.1)
2	8695(3944)	37.9(11.5)
3	7189(3261)	62.1(18.9)
4	6128(2779)	87.0(26.0)

ITEM	HWN11000Y
Overall dimensions (L x W x H)	20" x 7.9" x 11" 510mm x 206mm x 280mm
Net weight (lbs) (kg)	117 53



HWP20000 SERIES: HWP20000Y1 Air Clutch Hydraulic Winch

Packing List



Specification

Rated line pull	20000 lbs (9072kgs)
Motor displacement	100 ml/r
Oil flow	15~75L/min
Pressure	17.5MPa
Gear reduction ratio	High speed 6:1 Low speed 39:1
Cable (Dia. × L)	φ5/8"×145'(φ15mm×48m)
Drum size (Dia. × L)	φ5.4"×12.4" (φ138mm×316 mm)
Mounting bolt pattern	10"×4.5" (254mm×114.3 mm) 4-M10

Line pull lb (kn)		Pressure Mpa(Psi)	Flow G/min(L/min)	Line speed ft/min(m/min)	
Low speed	High speed			Low speed	High speed
0	0	2.5(362.6)	4.0(15)	5.9(1.8)	27.1(8.3)
4000(1814)	696(316)	4.2(609.1)	7.9(30)	11.7(3.6)	60.7(18.5)
8000(3629)	1391(631)	8.5(1232.8)	13.2(50)	19.6(6.0)	106.0(32.3)
15000(6804)	2609(1183)	14.0(2030.5)	15.9(60)	23.6(7.2)	129.2(39.4)
20000(9072)	3478(1578)	17.5(2538.1)	19.9(75)	29.7(9.0)	164.0(50.0)

Layer of cable	Rated Line Pull per layer Lbs(kn)	Total Rope On Drum Ft (m)	While oil flow 60L/min Low speed High speed	